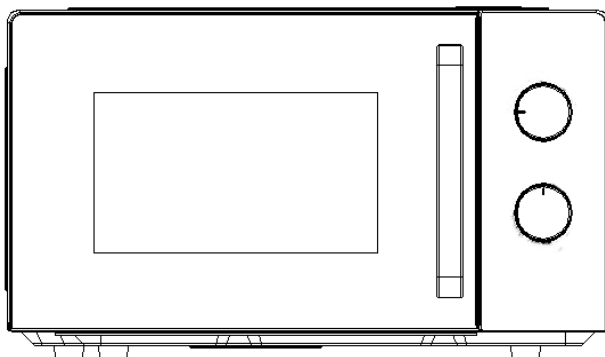


CANDY

MICROWAVE OVEN INSTRUCTION MANUAL



CMW20SMWLI-07/CMW20SMBLI-07



**IMPORTANT SAFETY INSTRUCTIONS
READ CAREFULLY AND KEEP FOR FUTURE REFERENCE**

Household use only

SAVE THESE INSTRUCTIONS

IMPORTANT SAFEGUARDS

WARNING: If the door or door seals are damaged, the oven must not be operated until it has been repaired by a trained person.

WARNING: It is hazardous for anyone other than a trained person to carry out any service or repair operation, which involves the removal of any cover, which gives protection against exposure to microwave energy. **WARNING:** Liquids or other food must not be heated in sealed containers since they are liable to explode.

1. Only use utensils that are suitable for use in microwave ovens
2. Metallic containers for food and beverages are not allowed during microwave cooking.
3. When heating food in plastic or paper containers, keep an eye on the oven due to the possibility of ignition
4. The microwave oven is intended for heating food and beverages. Drying of food or clothing and heating of warming pads, slippers, sponges, damp cloth and similar may lead to risk of injury, ignition or fire.
5. If smoke is observed, switch off or unplug the appliance and keep the door closed in order to stifle any flames microwave heating of beverages can result in delayed eruptive boiling, therefore care has to be taken when handling the container;

6. The contents of feeding bottles and baby food jars are to be stirred or shaken and the temperature is to be checked before consumption, in order to avoid burns;
7. Eggs in their shell and whole hard-boiled eggs shall not be heated in microwave ovens since they may explode, even after microwave heating has ended;
8. Failure to maintain the oven in a clean condition could lead to deterioration of The surface that could adversely affect the life of the appliance and possibly result in a hazardous situation.
The microwave oven is intended to be used freestanding or built-in or in a cabinet.
9. The appliance must not be placed in a cabinet
10. Care should be taken not to displace the turntable when removing containers from the appliance.
11. The appliance shall not be cleaned with a steam cleaner.

Warning: When the appliance is operated in the combination mode, children should only use the oven under adult supervision due to the temperatures generated.



CAUTION: HOT SURFACE

12. If the supply cord is damaged, it must be replaced by the manufacturer or its service agent or a similarly qualified person in order to avoid a hazard.
13. This appliance can be used by children aged from 8 years and above and persons with reduced physical, sensory or mental capabilities or lack of experience and knowledge if they have been given supervision or instruction concerning use of the appliance in a safe way and understand the hazards involved.
14. Children shall not play with the appliance.
15. Cleaning and user maintenance shall not be made by children without supervision.
16. Group 2 Class B appliance
Group 2 ISM equipment: group 2 contains all ISM equipment in which radio-frequency energy is intentionally generated and/or used in the form of electromagnetic radiation for the treatment of material, and EDM and arc welding equipment.
Class B equipment is equipment suitable for use in domestic establishments and in establishments directly connected to a low voltage power supply network which supplies buildings used for domestic purposes.

INSTALLATION

1. Remove the package from the microwave and carefully check the microwave for damage. Such as:

Whether the furnace body is shocked and shows signs of heavy pressure.

Whether the furnace door is flat and the switch is smooth and flexible.

Whether the metal insulation mesh on the furnace door is bent or deformed.

The power cord is loose or loose.

If you find any of the above, please contact your dealer or our special maintenance department immediately.

2. The microwave oven must be placed flat in a ventilated, dry, non-corrosive environment, away from high temperatures and vapors.

3. Do not place any objects on the top of the stove. In order to have sufficient air circulation space, the product should be placed 85cm above the ground. The distance between the sides of the microwave oven and the wall should be no less than 5cm, the distance between the back of the furnace and the wall should be no less than 10cm and the distance from the top wall cabinet should be no less than 20cm.

4. The microwave oven should be away from the TV, radio and antenna (generally greater than 5m), otherwise it will cause interference.

5. The microwave oven should be placed in the place where the power cable is convenient to plug in, and the grounding is guaranteed to be good. In case of leakage, the grounding wire can be formed.

The current loop avoids electric shock.

6. Be sure to operate the microwave oven with the door closed.

7. Do not place the microwave in the cabinet.

8. When using the microwave oven for the first time, since the residue or grease in the manufacturing process exists in the furnace cavity or on the heating pipe, there may often be odor and even white smoke during heating. This is a normal phenomenon and has been used several times. After this, this will not happen, pay attention to open the doors and windows to maintain good ventilation.

CLEANING

MICROWAVE OVEN CARE



CAUTION

The oven should be cleaned regularly and any food deposits removed.



WARNING

1. Remove the power cord from the wall outlet before cleaning.

Don't immerse the appliance in water or other fluids when cleaning.

2. Failure to maintain the oven in a clean condition could lead to deterioration of the surface that could adversely affect the life of the appliance and possibly result in a hazardous situation

3. Never use hard detergent, gasoline, abrasive powder or metal brush to clean any part of the appliance

4. Do not remove the waveguide cover

5. When the microwave oven has been used for a long time, there may be some strange odors exist in oven, Following 3 methods can get rid of them:

a. Place several lemon slices in a cup, then heat with high Micro Power for 2-3 min.

b. Place a cup of red tea in oven, then heat with high micro power.

c. Put some orange peel into oven, and then heat them with high Micro Power for 1 minute.

6. **WARNING:** Only allow children to use the oven without supervision when adequate instructions have been given so that the child is able to use the oven in a safe way and understands the hazards of improper use.

TIPS FOR CLEANING

Details for cleaning door seals, cavity and adjacent parts:

Exterior:

Wipe the enclosure with a dampened soft cloth

Door:

Using a dampened soft cloth, wipe clean the door and window

Wipe the door seals and adjacent parts to remove any spill or spatter

Wipe the control panel with a slightly dampened soft cloth

Interior walls:

Wipe clean the cavity with a dampened soft cloth

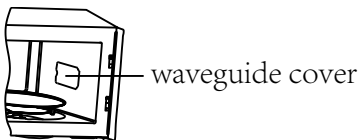
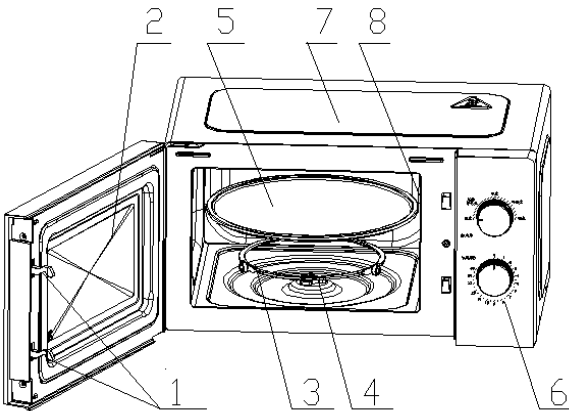
Wipe clean the waveguide cover to remove any food splashed

Turntable/ Rotation ring/ Rotation axis:

Wash with mild soap water

Rinse with clean water and allow drying thoroughly

PRODUCT INSTRUCTION



1) Door lock

Microwave oven door must be properly closed in order for it to operate

2) Viewing window

Allow user to see the cooking status

3) Rotating ring

The glass turntable sits on its wheels; it supports the turntable and helps it to balance when rotating

4) Rotating axis

The glass turntable sits on the axis; the motor underneath it drives the turntable to rotate

5) Turntable

The food sits on the turntable, its rotation during operation helps to cook food evenly



CAUTION

- Place the rotating ring first
- Fit the turntable onto the rotating axis and make sure that it is geared in properly

6) Control panel

See below in details (the control panel is subject to change without prior notice)

7) Outer cover

Used for wrapping and protecting the internal structural parts and electrical components of the whole machine

8) Waveguide cover

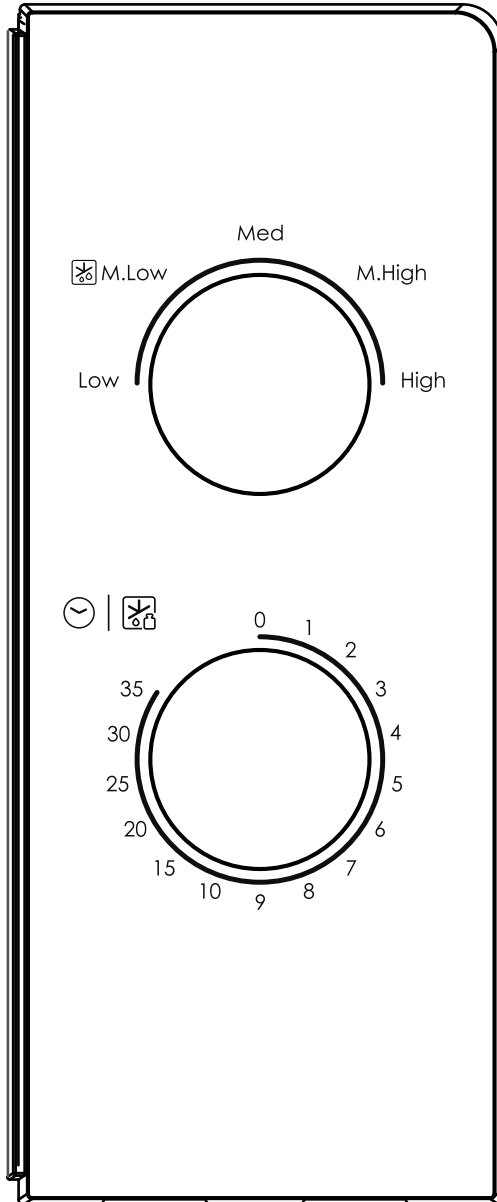
It is inside the microwave oven, next to the wall of control panel.



WARNING

Never remove the waveguide cover

OPERATION OF CONTROL PANEL



1. CLOCK SETTING

The maximum setting is 35 minutes, there is a ringtone at the end, and the knob returns to the “0” position.

2. MICROWAVE FUNCTION

There are five firepower files:

HIGH	100% power output	700W	(Quick cooking)
M.High	80% power output	550W	(Normal cooking)
Med	55% power output	390W	(Slow cooking)
M.Low	30% power output	200W	(Defrost food)
LOW	17% power output	120W	(Keep warm)

Below is some food defrosting time advice:

	Weight	Defrost time
Meat	0.1~1.0kg	1:30~26:00
Poultry	0.2~1.0kg	2:30~22:00
Sea food	0.1~0.9kg	1:30~14:00

OPERATION

1) Connect the cord

- Before connecting the cord, make sure the timer is set to “0” position.
- Do not block the ventilation.

2) Place the food on the glass turntable and close the door

- Food must be contained in a utensil

3) Select the desired power level

4) Set the timer

If desired time is less than 10 minutes, turn the firepower knob to over 10 minutes position and then turn back to the desired time setting.

5) Once the desired time is set, the cooking begins. If pausing in between is needed, just open the door at any time, and close it to resume operation.

6) When it times out and cooking ends, the microwave oven produces a bell ring, the inside lamp will also be automatically turned off.

If food is removed before time out, make sure to set back the timer to “0” position, this avoids the microwave oven from operating in empty load.

UTENSILS GUIDELINE

Depending on the cooking method, it is necessary to choose a safe and suitable vessel. If it is not properly selected, it will not only affect the cooking effect, but also cause damage to the vessel or microwave oven. Please refer to the table below for use:

Material of container	Microwave	Notes
Heat-resistant ceramic	Yes	Never use the ceramics which are decorated with metal rim or glazed
Heat-resistant plastic	Yes	Can not be used for long time microwave cooking
Heat-resistant glass	Yes	
Grill rack	No	
Plastic film	Yes	It should not be used when cooking meat or chops as the over-temperature may do damage to the film

COOKING TIPS

The following factors may affect the cooking result:

Food arrangement

Place thicker areas towards outside of dish, the thinner part towards the centre and spread it evenly. Do not overlap if possible.

Cooking time length

Start cooking with a short time setting, evaluate it after it times out and extend it according to the actual need. Over cooking may result in smoke and burns.

Cooking food evenly

Food such as chicken, hamburger or steak should be turned once during cooking.

Depending on the type of food, if applicable, stir it from outside to centre of dish once or twice during cooking

Allow standing time

After cooking times out, leave the food in the oven for an adequate length of time, this allows it to complete its cooking cycle and cooling it down in a gradual manner

Whether the food is done

Color and hardness of food help to determine if it is done, these include:

- Steam coming out from all parts of food, not just the edge
- Joints of poultry can be moved easily
- Pork or poultry shows no signs of blood
- Fish is opaque and can be sliced easily with a fork

Browning dish

When using a browning dish or self-heating container, always place a heat-resistant insulator such as a porcelain plate under it to prevent damage to the turntable and rotating ring.

Microwave safe plastic wrap

When cooking food with high fat content, do not allow the plastic wrap come into contact with food as it may melt

Microwave safe plastic cookware

Some microwave safe plastic cookware might not be suitable for cooking foods with high fat and sugar content. Also, the preheating time specified in the dish instruction manual must not be exceeded.

MAINTENANCE

SERVICING

Please check the following before calling for services.

1. Place one cup of water (approx.150ml) in a glass measure in the oven and close the door securely. Oven lamp should go off if the door is closed properly. Let the oven work for 1 min.

2. Does the oven lamp light?

3. Does the cooling fan work?

(Put your hand over the rear ventilation openings.)

4. Does the turntable rotate?

(The turntable can rotate clockwise or counter clockwise. This is quite normal.)

5. Is the water inside the oven hot after 1 minute?

If “NO” is the answer to any of the above questions, please check your wall socket and the fuse in your meter box.

If both the wall socket and the fuse are functioning properly, CONTACT YOUR NEAREST SERVICE CENTER APPROVED.

SERVICING SAFEGUARDS

Caution: MICROWAVE RADIATION

1. **Warning:** There is microwave radiation and high voltage in the microwave. Except for maintenance technicians, it is strictly forbidden to dismantle it by yourself to avoid harm to the human body. Do not expose to radiation from microwave generators or other conducted microwave energy components!

Warning: When the microwave oven is running, the surface temperature will be very high!

2. During servicing below listed parts are liable to be removed and give access to potentials above 250V to earth.

- Magnetron
- High voltage transformer
- High voltage capacitor
- High voltage diode

3. The following conditions may cause undue microwave exposure during servicing.

- Improper fitting of magnetron;
- Improper matching of door interlock, door hinge and door;
- Improper fitting of switch support;
- Door, door seal or enclosure has been damaged.

Correct Disposal of this product



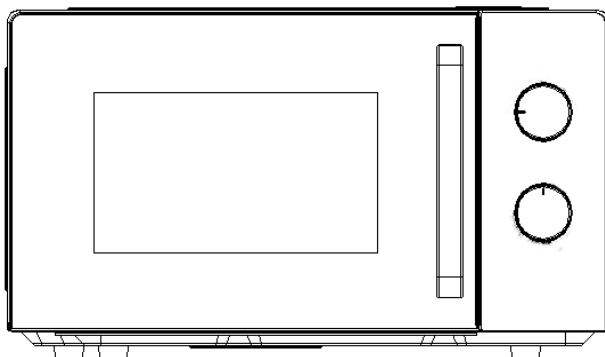
This appliance is labelled in accordance with European Directive 2012/19/EU on Waste Electrical and Electronic Equipment Regulations 2013 regarding electric and electronic appliances (WEEE). The WEEE contain both polluting substances (that can have a negative effect on the environment) and base elements (that can be reused). It is important that the WEEE undergo specific treatments to correctly remove and dispose of the pollutants and recover all the materials. Individuals can play an important role in ensuring that the WEEE do not become an environmental problem; it is essential to follow a few basic rules:

- the WEEE should not be treated as domestic waste;
- the WEEE should be taken to dedicated collection areas managed by the town council or a registered company.

In many countries, domestic collections may be available for large WEEEs. When you buy a new appliance, the old one can be returned to the vendor who must accept it free of charge as a one-off, as long as the appliance is of an equivalent type and has the same functions as the purchased appliance.

CANDY

МИКРОВОЛНОВАЯ ПЕЧЬ РУКОВОДСТВО ПО ЭКСПЛУАТАЦИИ



CMW20SMWLI-07/CMW20SMBLI-07



РАР

**ВАЖНЫЕ УКАЗАНИЯ ПО ТЕХНИКЕ БЕЗОПАСНОСТИ
ВНИМАТЕЛЬНО ПРОЧИТАЙТЕ И СОХРАНИТЕ ДЛЯ
ДАЛЬНЕЙШЕГО ИСПОЛЬЗОВАНИЯ**

Только для бытового использования

СОХРАНИТЕ ЭТУ ИНСТРУКЦИЮ

ВАЖНЫЕ МЕРЫ ПРЕДОСТОРОЖНОСТИ

ПРЕДУПРЕЖДЕНИЕ: В случае повреждения дверцы или ее уплотнителей запрещается включать печь, пока ее не отремонтирует специально обученный специалист.

ПРЕДУПРЕЖДЕНИЕ: Опасно проводить ремонт, требующий снятия кожухов, которые обеспечивают защиту от микроволнового излучения, кем-либо, кроме квалифицированного сервисного персонала.

ПРЕДУПРЕЖДЕНИЕ: Запрещается нагревать жидкости или другие продукты питания в герметично закрытых емкостях, поскольку они могут взорваться.

1. Пользуйтесь только посудой, пригодной для использования в микроволновых печах
2. Запрещено использовать для приготовления в микроволновом режиме металлические емкости для продуктов и напитков.
3. При разогревании продуктов в пластмассовых или бумажных контейнерах постоянно наблюдайте за печью в связи с возможностью воспламенения.
4. Микроволновая печь предназначена для нагревания продуктов питания и напитков. Сушка продуктов,

предметов одежды и нагревание грелок, тапочек, губок, влажных тряпок и тому подобных материалов может стать причиной травмы, воспламенения или пожара.

5. При появлении дыма выключите прибор или отключите его из розетки и держите дверцу закрытой, чтобы подавить пламя. Микроволновое нагревание напитков может привести к задержке закипания, поэтому необходимо соблюдать осторожность при обращении с емкостью;
6. Во избежание ожогов содержимое бутылочек для кормления и банок для детского питания необходимо перемешивать или встряхивать, а также проверять температуру перед употреблением;
7. Яйца в скорлупе и сваренные вкрутую не следует разогревать в микроволновой печи, так как они могут взорваться даже после окончания разогрева с помощью микроволн;
8. Несоблюдение требования поддерживать чистоту печи может привести к изнашиванию поверхности, что может негативно сказаться на сроке службы прибора и стать возможной причиной опасной ситуации.
Микроволновая печь предназначена для использования отдельно стоящей.
9. Запрещается помещать прибор в шкаф

10. При извлечении посуды из прибора следует соблюдать осторожность, чтобы не сдвинуть поворотный стол.
11. Прибор не следует чистить пароочистителем.

ВНИМАНИЕ: ГОРЯЧАЯ ПОВЕРХНОСТЬ

12. При повреждении кабеля питания во избежание возможной опасности его замену должен осуществлять производитель, его сервисный представитель или лицо с подобной квалификацией.
13. Данный прибор не предназначен для использования лицами (включая детей) с пониженными физическими, психическими или умственными способностями или при отсутствии у них опыта или знаний, если они не находятся под контролем или не проинструктированы об использовании прибора лицом, отвечающим за их безопасность.
14. Дети должны находиться под присмотром для недопущения игры с прибором. Все упаковочные материалы должны храниться в недоступном для детей месте (риск удушья).
15. Детям запрещается выполнять чистку и пользовательское обслуживание электроприбора без присмотра.
16. Группа 2 Прибор класса В

Группа 2 ISM-оборудования: ко 2-й группе относится все ISM-оборудование, в котором для воздействия на материал генерируется и (или) используется энергия радиоволн в форме электромагнитного излучения, а также электроэрозионное оборудование и оборудование для дуговой сварки.

Оборудование класса В подходит для эксплуатации в жилых помещениях и в помещениях, подключенных к электросети низкого напряжения, используемой в жилых зданиях.

Используйте данный электроприбор только по его прямому назначению, как описано в настоящем руководстве. Не нагревайте в микроволновой печи коррозирующие химические реактивы и их пары. Данная микроволновая печь предназначена исключительно для приготовления пищи, и не предназначена для промышленных или лабораторных применений. Использование этого устройства в условиях, отличных от домашних, или с функциями, отличными от обычных функций домашнего хозяйства, такое как коммерческое использование опытными или обученными пользователями, исключено даже в указанных выше областях применения. Ненадлежащее использование устройства приводит к снижению срока его службы, оно

может вызвать прекращение действия гарантии производителя. Производитель не несет ответственности за повреждение устройства, убыток или потери, вызванные использованием, не соответствующим домашним и бытовым условиям (даже если оно происходило в домашних или бытовых условиях).

17. Не включайте пустую микроволновую печь.

ВНИМАТЕЛЬНО ПРОЧИТАЙТЕ И СОХРАНИТЕ ДЛЯ ДАЛЬНЕЙШЕГО ИСПОЛЬЗОВАНИЯ

УСТАНОВКА

1. Достаньте печь из упаковки и внимательно проверьте на наличие повреждений, таких как:

- Есть ли на корпусе печи следы ударов и признаки сильного сдавливания;
- Наблюдается ли изгиб или деформация на дверце печи;
- Шнур питания прикреплен неплотно;

Если вы обнаружите что-либо из вышеперечисленного, немедленно свяжитесь с вашим дилером или отделом сервисного обслуживания.

2. Микроволновая печь должна быть размещена на ровной плоскости в вентилируемой, сухой, некоррозионной среде, вдали от высоких температур и паров.

3. Не кладите какие-либо предметы на поверхность печи. Для обеспечения достаточного пространства для циркуляции воздуха прибор должен быть размещен на высоте не менее 85 см над полом. Расстояние между боковыми стенками микроволновой печи и стеной должно быть не менее 5 см, расстояние между задней частью печи и стеной – не менее 10 см, а расстояние до верхнего навесного шкафа – не менее 20 см.
4. Микроволновая печь должна находиться вдали от телевизора, радио и антенны (желательно на расстоянии более 5 м), в противном случае это может вызвать помехи или шумы.
5. Розетка должна находиться в легкодоступном месте, чтобы шнур можно было легко отсоединить от сети питания в случае чрезвычайной ситуации. Убедитесь, что микроволновая печь правильно заземлены во избежание поражения электрическим током. Ни изготовитель, ни продавец не несут ответственности за повреждение печи или травмирование, обусловленное нарушением указаний по подключению к электрической сети.
6. Используйте микроволновую печь только с закрытой дверцей.
7. Не размещайте микроволновую печь в шкафу.
8. При первом использовании микроволновой печи во время нагрева часто может появляться запах и даже легкое задымление, поскольку в полости печи или на нагревательном элементе могут остаться следы от смазывающего вещества, образовавшиеся в процессе производства. Это нормальное явление, которое пройдет после нескольких использований. Если такое произошло, откройте двери и окна, чтобы хорошо проветрить помещение.

ОЧИСТКА

УХОД ЗА МИКРОВОЛНОВОЙ ПЕЧЬЮ

ВНИМАНИЕ

Печь следует регулярно чистить и удалять остатки пищи.

ПРЕДУПРЕЖДЕНИЕ

1. Перед очисткой отсоедините шнур питания от розетки. При очистке не погружайте прибор в воду или другие жидкости.
2. Несоблюдение требования поддерживать чистоту печи может привести к изнашиванию поверхности, что может негативно сказаться на сроке службы прибора и стать возможной причиной опасной ситуации
3. Никогда не используйте твердое моющее средство, бензин, абразивный порошок или металлическую щетку для очистки любой части прибора
4. Не снимайте крышку волновода
5. При использовании в течение длительного времени в микроволновой печи может появиться запах. Вы можете избавиться от запаха следующими способами:
 - a. Поместите несколько ломтиков лимона в чашку, затем нагрейте в течение 2-3 минут при высокой мощности.
 - b. Поместите чашку красного чая в печь, затем нагрейте при высокой мощности.
 - c. Поместите апельсиновую кожуру в печь, а затем нагрейте ее в течение 1 минуты при высокой мощности.
6. **ПРЕДУПРЕЖДЕНИЕ:** Не разрешайте детям пользоваться печью без присмотра взрослых и без соответствующего инструктажа; ребенок должен уметь пользоваться печью безопасным образом и пони-

мать опасность ненадлежащей ее эксплуатации.

7. Если вы не планируете использовать микроволновую печь в течение длительного времени, разместите ее в сухом и хорошо проветриваемом месте.

СОВЕТЫ ПО ОЧИСТКЕ

Подробно об очистке уплотнений дверей, камеры и смежных частей:

Внешняя часть корпуса:

Протрите корпус мягкой влажной тканью

Дверца:

Протрите дверцу и окошко мягкой влажной тканью

Протрите уплотнители двери и смежные детали, чтобы удалить пятна или брызги

Протрите панель управления слегка влажной мягкой тканью

Внутренняя часть стенок:

Протрите внутренние поверхности печи мягкой влажной тканью

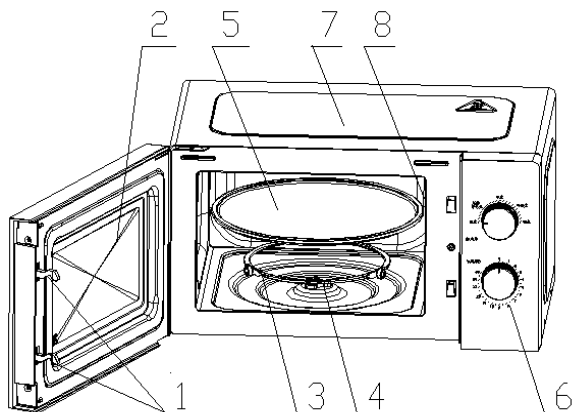
Протрите крышку волновода, чтобы удалить остатки пищи

Поворотный стол /поворотный вал/ поворотная крестовина:

Промойте мягкой мыльной водой

Промойте чистой водой и дайте полностью высохнуть

КОМПЛЕКТАЦИЯ



1) Система защитной блокировки дверцы

Для надлежащей работы дверца микроволновой печи должна быть плотно закрыта

2) Стекло дверцы

Позволяет видеть процесс приготовления

3) Роликовое кольцо

Стеклянный поворотный стол располагается на колесах; кольцо поддерживает поворотный стол и помогает ему сохранять равновесие при вращении

4) Крестовина

Стеклянный поворотный стол располагается на крестовине; вал под ней вращает поворотный стол

5) **Стеклянный поворотный стол**

Посуду размещают на поворотном столе. Его вращение во время работы помогает готовить пищу равномерно



ВНИМАНИЕ

- Сначала установите роликовое кольцо
- Установите поворотный стол на крестовину и убедитесь, что он закреплен правильно

6) **Панель управления**

Подробнее см. ниже (панель управления может быть изменена без предварительного уведомления)

7) **Наружная крышка**

Используется для покрытия и защиты внутренних структурных частей и электрических компонентов всего устройства

8) **Крышка волновода**

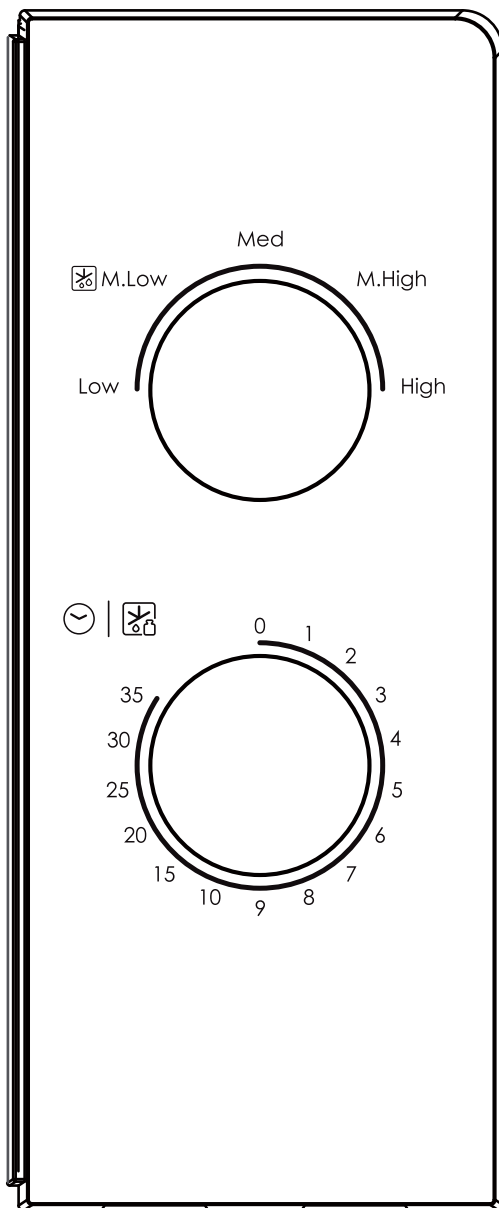
Находится внутри микроволновой печи, рядом со стенкой панели управления.



ПРЕДУПРЕЖДЕНИЕ

Никогда не снимайте крышку волновода

ПАНЕЛЬ УПРАВЛЕНИЯ



1. УСТАНОВКА ВРЕМЕНИ

Максимальная настройка составляет 35 минут, после чего раздается звуковой сигнал, и ручка возвращается в положение «0».

2. УСТАНОВКА МОЩНОСТИ

Можно выбрать один из пяти уровней мощности:

HIGH (ВЫСОКИЙ)	Выходная мощность 100%	700 Вт	(Быстрое приготовление пищи)
M. HIGH (Средне-высокий)	Выходная мощность 80%	550 Вт	(Нормальное приготовление пищи)
MED (Средний)	Выходная мощность 55%	390 Вт	(Медленное приготовление)
M. LOW (Средне-низкий)	Выходная мощность 30%	200 Вт	(Размораживание)
LOW (НИЗКИЙ)	Выходная мощность 17%	120 Вт	(Поддержание в теплом состоянии)

Ниже приведено несколько советов по времени размораживания продуктов:

	Вес	Время размораживания
Мясо	0,1 ~ 1,0 кг	1:30---26:00
Птица	0,2 ~ 1,0 кг	2:30---22:00
Морепродукты	0,1 ~ 0,9 кг	1:30---14:00

ЭКСПЛУАТАЦИЯ

1) Подсоедините шнур

- Перед подключением шнура убедитесь, что таймер установлен в положение «0».
- Не загромождайте вентиляционные отверстия.

2) Поместите продукты на стеклянный поворотный стол и закройте дверцу

- Продукты должны находиться в посуде

3) Выберите желаемый уровень мощности

4) Установите таймер

Если требуемое время составляет менее 10 минут, поверните ручку в положение более 10 минут, а затем вернитесь к требуемому значению времени.

5) Как только желаемое время установлено, начинается приготовление пищи. Если в процессе приготовления требуется пауза, просто откройте дверцу в любое время, а для возобновления работы закройте ее.

6) Когда заканчивается время приготовления, микроволновая печь издает звуковой сигнал, при этом автоматически выключается внутреннее освещение.

Если вы вынимаете еду до истечения времени, обязательно верните таймер в положение «0»: это позволит избежать работы пустой микроволновой печи.

РЕКОМЕНДАЦИИ ПО ВЫБОРУ ПОСУДЫ

В зависимости от способа приготовления необходимо выбрать безопасную и подходящую посуду. Неправильный выбор повлияет не только на приготовление пищи, но и может привести к повреждению емкости или микроволновой печи. Пожалуйста, используйте данные из таблицы ниже:

Материал посуды	Микроволновый нагрев	Примечания
Термостойкая керамика	Да	Никогда не используйте керамику, украшенную металлическим ободком или покрытую глазурью
Термостойкий пластик	Да	Нельзя использовать для длительного приготовления пищи в микроволновой печи
Термостойкое стекло	Да	
Решетка для гриля	Нет	
Пищевая пленка	Да	Не следует использовать при приготовлении мяса или отбивных, так как перегрев может привести к повреждению пленки

СОВЕТЫ ПО ПРИГОТОВЛЕНИЮ

На результат приготовления могут влиять следующие факторы:

Размещение продуктов

Поместите более толстые части ближе к наружной стороне посуды, а более тонкие – ближе к центру и распределите их равномерно. По возможности не кладите в несколько слоев.

Продолжительность приготовления

Начните с приготовления в течение короткого времени, оцените его после завершения и продлите в зависимости от фактической потребности. Если готовить слишком долго, пища может подгореть и появится дым.

Равномерное приготовление пищи

Такую еду, как курица, гамбургер или стейк, следует переворачивать один раз в процессе приготовления.

В зависимости от типа пищи, перемешайте снаружи к центру емкости один или два раза во время приготовления (если возможно).

Оставьте на время

По истечении времени приготовления оставьте еду в печи на достаточное время: это позволит завершить цикл приготовления и постепенно остудить блюдо

Готова ли еда

Определить степень готовности помогают цвет и твердость пищи, а также:

- Пар, исходящий ото всех частей пищи, а не только от краев
- Части курицы легко отделяются
- На свинине или птице нет следов крови
- Рыба становится непрозрачной и легко нарезается вилкой

Посуда для запекания

При использовании посуды для запекания или самонагревающейся емкости всегда помещайте под нее термостойкий изолятор, например, фарфоровую тарелку, чтобы предотвратить повреждение поворотного стола и роликового кольца вращения.

Безопасная пищевая пленка для микроволновой печи

При приготовлении пищи с высоким содержанием жира не допускайте

контакта пищевой пленки с едой, так как пленка может расплавиться

Безопасная пластиковая посуда для микроволновой печи

Некоторые виды безопасной пластиковой посуды для микроволновой печи могут не подходить для приготовления пищи с высоким содержанием жира и сахара. Кроме того, не должно быть превышено время подогрева, указанное в руководстве по эксплуатации посуды.

ОБСЛУЖИВАНИЕ

УХОД

Пожалуйста, проверьте пункты ниже, прежде чем звонить в сервисную службу.

1. Налейте воду в стеклянную чашку (ок. 150 мл), поставьте в печь и плотно закройте дверцу. Лампа печи должна погаснуть, если дверь закрыта правильно. Дайте печи поработать в течение 1 мин.

2. Загорается ли лампа печи?

3. Работает ли охлаждающий вентилятор?

(Приложите руку к вентиляционным отверстиям в задней стенке корпуса.)

4. Вращается ли поворотный стол?

(Поворотный стол может вращаться как по часовой стрелке, так и против. Это считается нормой.)

5. Нагрелась ли вода через 1 минуту?

Если хотя бы на один из вышеперечисленных вопросов вы ответили «НЕТ», проверьте розетку и предохранитель в щитке.

Если розетка и предохранитель работают правильно, **ОБРАТИТЕСЬ В БЛИЖАЙШИЙ СЕРВИСНЫЙ ЦЕНТР.**

МЕРЫ ПРЕДОСТОРОЖНОСТИ ПРИ СЕРВИСНОМ ОБСЛУЖИВАНИИ ИНФОРМАЦИЯ ТОЛЬКО ДЛЯ СЕРВИСНЫХ СПЕЦИАЛИСТОВ!

Внимание: МИКРОВОЛНОВОЕ ИЗЛУЧЕНИЕ

1. **Предупреждение:** В микроволновой печи присутствует микроволновое излучение и высокое напряжение. Разбирать прибор могут только специалисты по сервисному обслуживанию. Во избежание причинения вреда организму человека разбирать печь самостоятельно категорически запрещается. Не подвергайте себя воздействию

излучения от микроволновых генераторов или других компонентов, проводящих микроволновую энергию!

Предупреждение: Во время работы микроволновой печи температура поверхности будет очень высокой!

2. Во время технического обслуживания перечисленные ниже детали могут быть сняты для обеспечения доступа к потенциалу выше 250 В на землю.

- Магнетрон
- Высоковольтный трансформатор
- Высоковольтный конденсатор
- Высоковольтный диод

3. Следующие условия могут привести к чрезмерному воздействию микроволнового излучения во время обслуживания.

- Неправильная установка магнетрона;
- Неправильное совмещение дверной блокировки, дверной петли и самой дверцы;
- Неправильная установка опоры выключателя;
- Дверца, уплотнители дверцы или корпус повреждены.


Надлежащая утилизация этого изделия



Данное устройство маркировано в соответствии с Европейской директивой 2012/19/EU о правилах утилизации электрического и электронного оборудования 2013 года, касающихся электрических и электронных приборов (WEEE). Электрическое и электронное оборудование (WEEE) содержит как загрязняющие вещества (которые могут оказывать негативное воздействие на окружающую среду), так и базовые элементы (которые могут быть использованы повторно). Важно, чтобы электрическое и электронное оборудование прошло специальную обработку для правильного изъятия и утилизации загрязняющих веществ, а также восстановления всех материалов. Физические лица могут играть важную роль в предотвращении негативного воздействия электрического и электронного оборудования на окружающую среду; необходимо следовать нескольким базовым правилам:

- с электрическим и электронным оборудованием запрещается обращаться как с бытовыми отходами;
- электрическое и электронное оборудование следует отнести в специальные места сбора, деятельность которых регулируется городским советом, либо управляемые зарегистрированной компанией.

Во многих странах для утилизации крупного электрического и электронного оборудования могут быть доступны внутренние программы сбора. При покупке новой бытовой техники во многих странах старую можно отдать продавцу, который обязан бесплатно принять ее в порядке «одна единица за одну», если оборудование относится к аналогичному типу и имеет те же функции, что и поставляемое оборудование.

Торговая марка	Candy
Тип продукции	Микроволновая печь
Производитель	«Candy Hoover Group S.r.l.», Via Comolli 16, 20861 Brugherio (MB), Италия
Фабрика	«Zhongshan Donlim Weili Electrical Appliances Co., Ltd», Fusha Industrial Park, Fusha Town, Zhongshan City, Guangdong Province, China
Поставщик на территории РФ, уполномоченный на принятие претензий	ООО «Канди СНГ» Юр. и факт. адрес: 125167, Москва, Ленинградский проспект, 37 Тел.: +7 499 110 22 11; candymow@candy.ru; www.candy-home.com/ru_RU/
Импортер	1)ООО «Канди СНГ», Юр. и факт. адрес: 125167, Москва, Ленинградский проспект, 37; Тел.: +7 499 1102211; candymow@candy.ru; www.candy-home.com/ru_RU/ 2)ООО "ХАСКЕЛ", 143401, Московская область, город Красногорск, бульвар Строителей, дом 4, корпус 1, этаж 8, кабинет 819 3) ООО «Мерлион», 143401, Московская область, город Красногорск, бульвар Строителей, дом 4, корпус 1, кабинет 819
Сертификат соответствия	Это изделие соответствует техническим регламентам Таможенного Союза: - ТР ТС 004/2011 «О соответствии низковольтного оборудования» - ТР ТС 020/2011 «Электромагнитная совместимость технических средств» Получить копию сертификата соответствия Вы можете в магазине, где приобретался товар или написав запрос на электронную почту candymow@candy.ru
	
Орган по сертификации	«РОСТЕСТ-Москва» Акционерного общества «Региональный орган по сертификации и тестированию», аттестат RA.RU.10АЯ46
Срок гарантии	12 месяцев на территории Российской Федерации и Республики Казахстан 24 месяца на территории Республики Беларусь
Срок службы	7 лет
Серийный номер (S/N)	Серийный номер продукта состоит из 16 цифр (пример 390004851249XXXX), где: 1. Первые 8 цифр составляют заводской код продукта. 2. Следующие 4 цифры обозначают дату производства. Например, 1249, где: 12 – год производства (2012 год), 49 – 49-ая неделя года 3. Последние четыре цифры – номер продукта в партии.
Серийный номер указан на этикетке, расположенной на задней части Вашего прибора.	

Утилизация!

- Упаковочные материалы: соблюдайте местные нормы по утилизации упаковочных материалов.
- Ваша микроволновая печь не должна выбрасываться вместе с бытовым мусором. Выведенный из строя прибор должен утилизироваться в соответствии с местными нормами
- Для уточнения правил утилизации просим Вас обратиться в специализированную государственную организацию или магазин.

Сервисное обслуживание

Обслуживанием бытовой техники занимаются авторизованные сервисные центры. Список сервисных центров можно найти на сайте www.candy-home.com/ru_RU/ в разделе «Поддержка» или уточнить по телефону 8-800-707-0204

Производитель не берет на себя ответственность за ошибки в данной инструкции, возникшие в процессе печати. Производитель имеет право вносить в свои изделия изменения, которые он сочтет полезными для своих изделий, сохраняя при этом основные характеристики.

Вся представленная в инструкции информация, касающаяся комплектации, технических характеристик, функций, цветовых сочетаний и т.д. носит информационный характер и ни при каких условиях не является публичной офертой. Изготовитель не устанавливает условия и положения покупки, они должны соответствовать требованиям регионального и/или национального законодательства страны продажи товаров.

