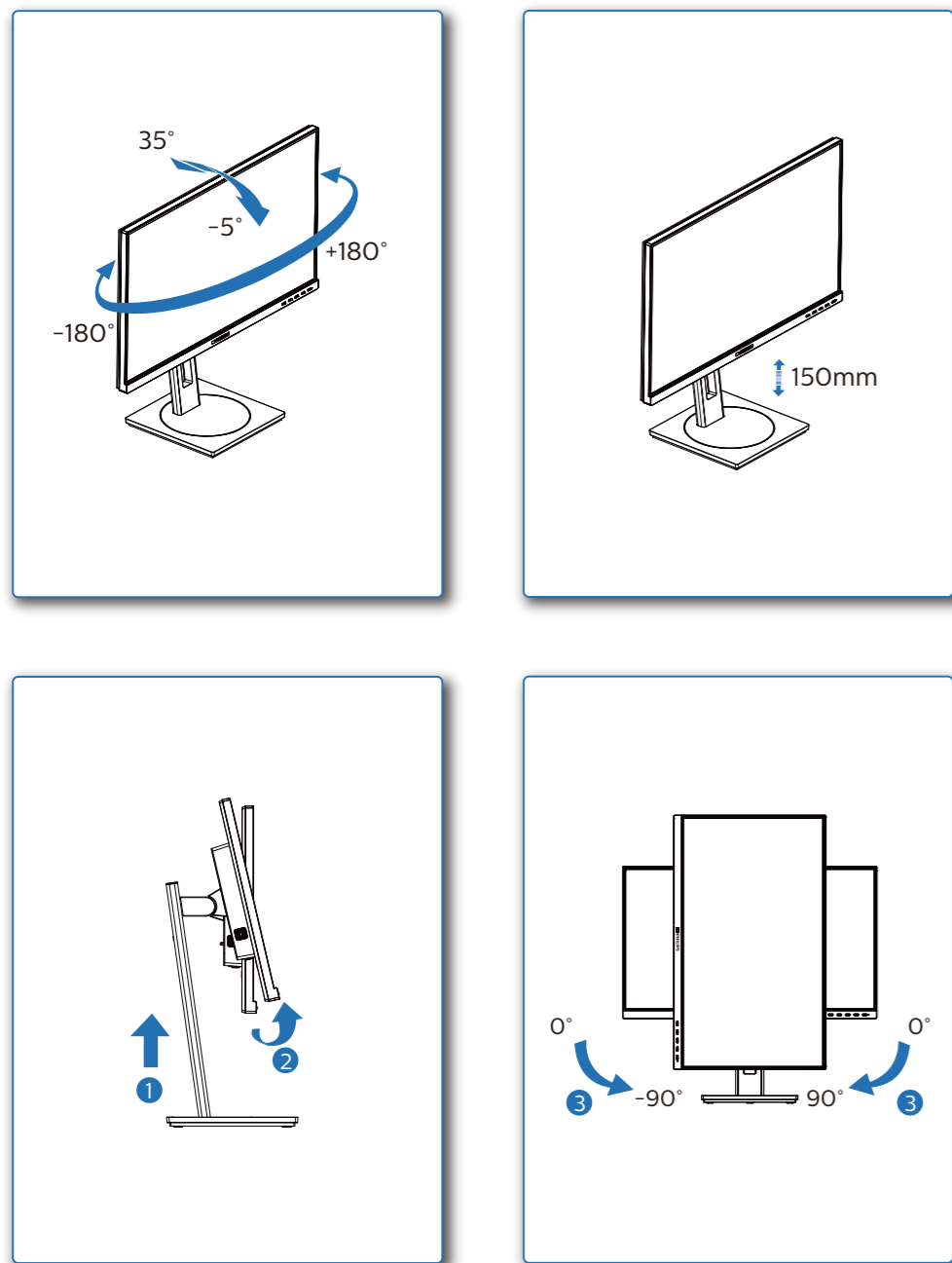
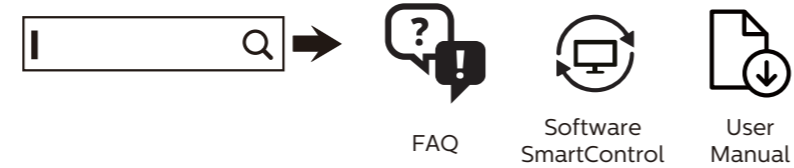


4



Register your product and get support at [www.philips.com/support](http://www.philips.com/support)



Version: M10278BQ1T  
2021 © TOP Victory Investments Ltd. All rights reserved.

This product has been manufactured by and is sold under the responsibility of Top Victory Investments Ltd., and Top Victory Investments Ltd. is the warrantor in relation to this product. Philips and the Philips Shield Emblem are registered trademarks of Koninklijke Philips N.V. and are used under license.

Specifications are subject to change without notice.

**HDMI**

The terms HDMI, HDMI High-Definition Multimedia Interface, and the HDMI Logo are trademarks or registered trademarks of HDMI Licensing Administrator, Inc.

[www.philips.com](http://www.philips.com)

Energy Labelling

278B1



Printed in China



H41G78S281342D

PHILIPS

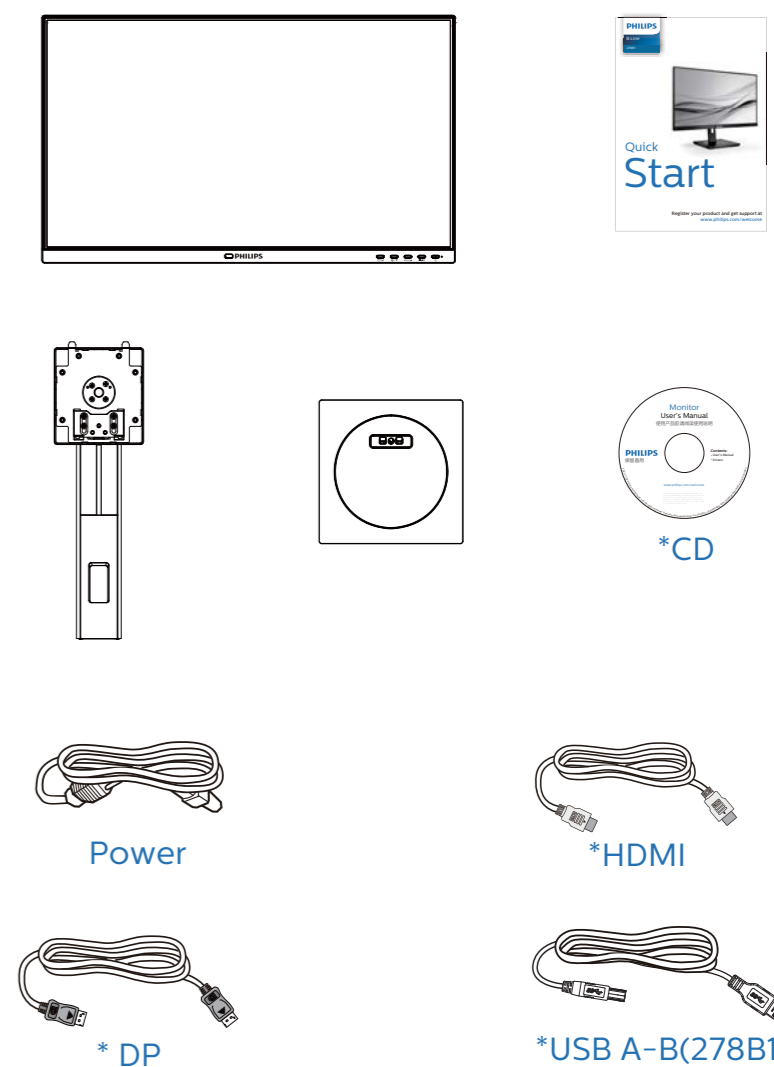
B Line

278B1



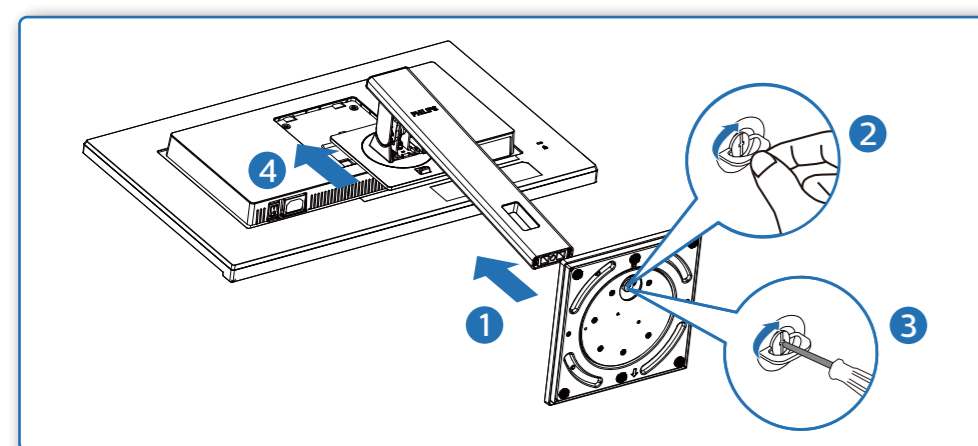
# Quick Start

Register your product and get support at [www.philips.com/welcome](http://www.philips.com/welcome)

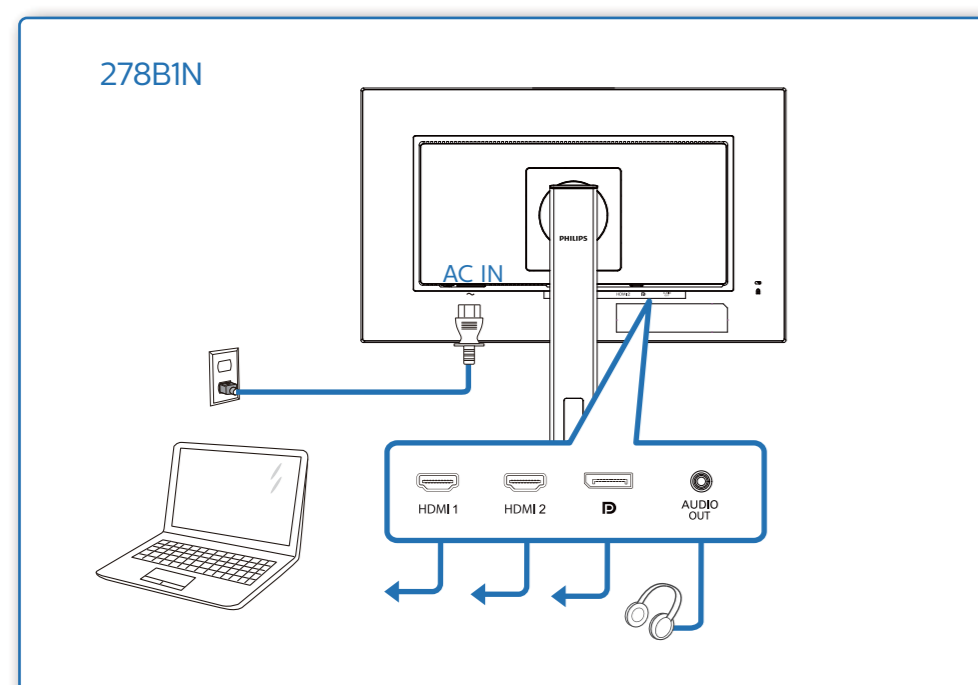


\*Different according to region  
Display design may differ from that illustrated

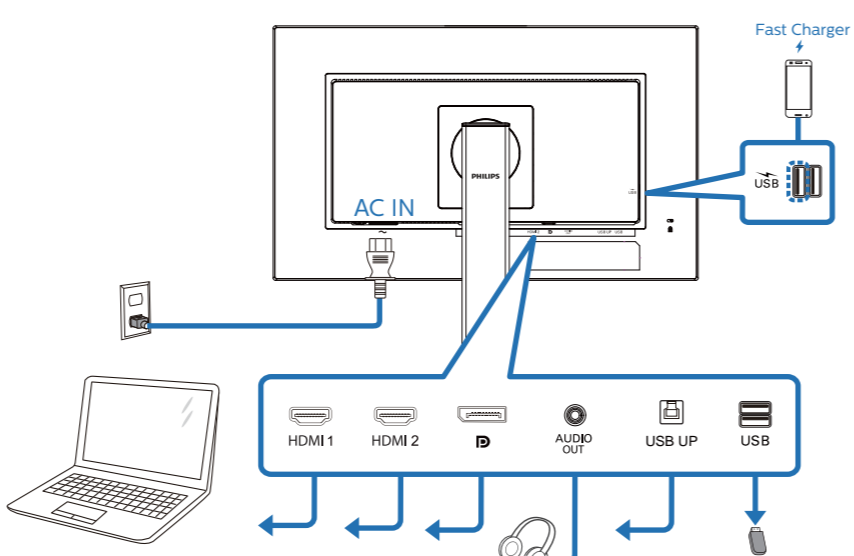
1



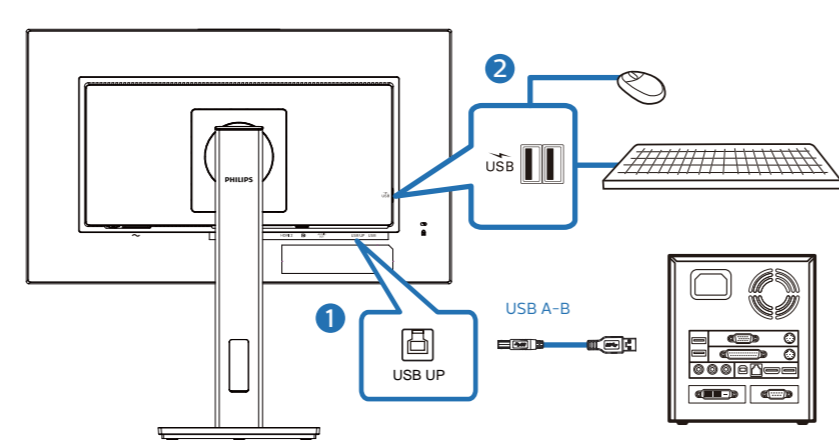
2



278B1



USB hub



3

