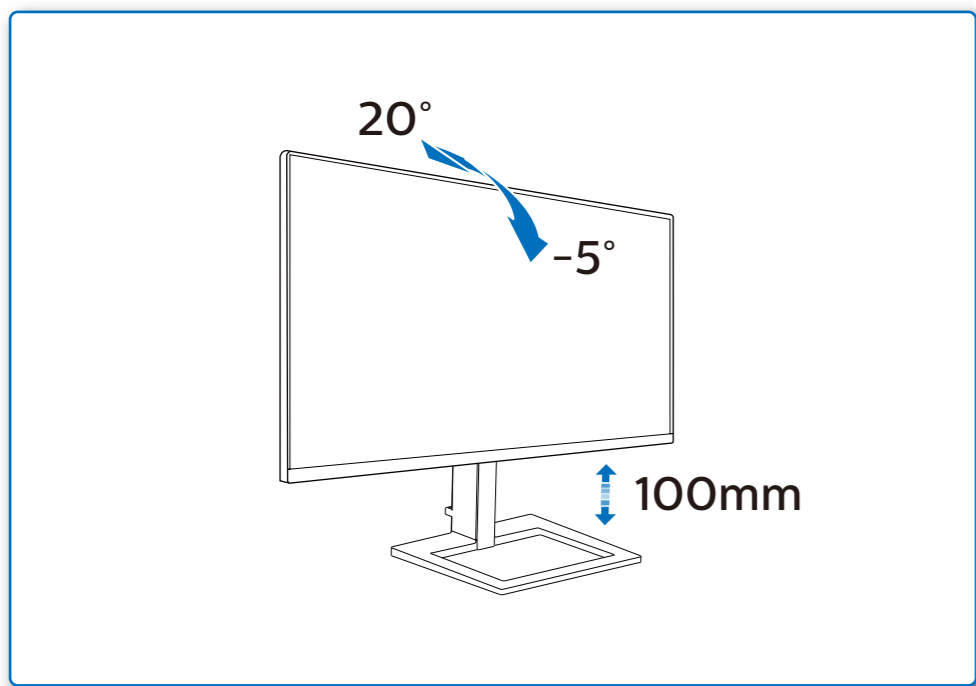


4



Register your product and get support at www.philips.com/support



FAQ

Software SmartControl

User Manual

Version: M1242EAEZQ1WWT
2020 © TOP Victory Investments Ltd. All rights reserved.

This product has been manufactured by and is sold under the responsibility of Top Victory Investments Ltd., and Top Victory Investments Ltd. is the warrantor in relation to this product. Philips and the Philips Shield Emblem are registered trademarks of Koninklijke Philips N.V. and are used under license.

Specifications are subject to change without notice.

HDMI

The terms HDMI, HDMI High-Definition Multimedia Interface, and the HDMI Logo are trademarks or registered trademarks of HDMI Licensing Administrator, Inc.

www.philips.com

Energy Labelling

242E1GAEZ



Printed in China



H41G78S281379D

PHILIPS

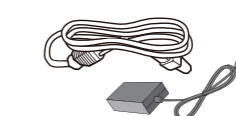
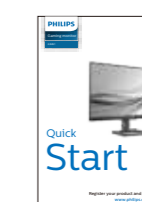
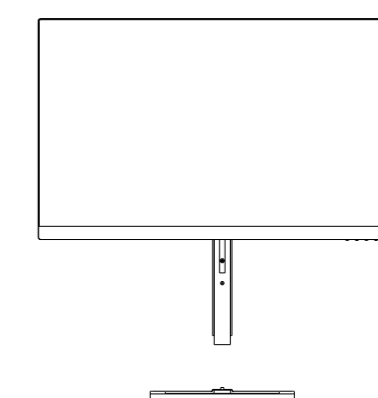
Gaming monitor

242E1

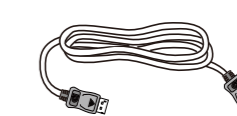


Quick Start

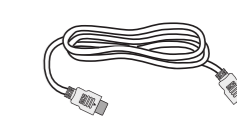
Register your product and get support at www.philips.com/welcome



AC/DC Adapter



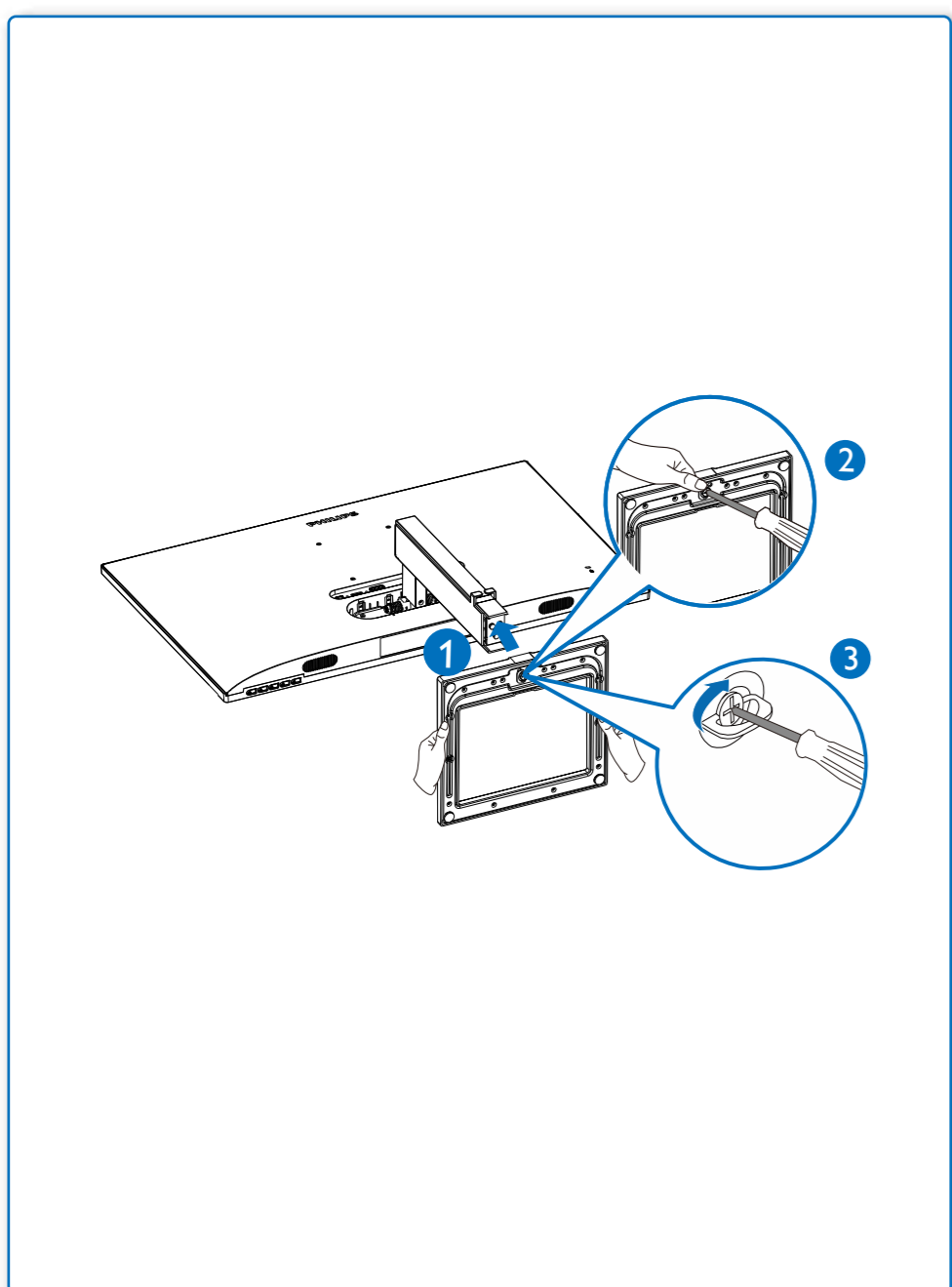
* DP



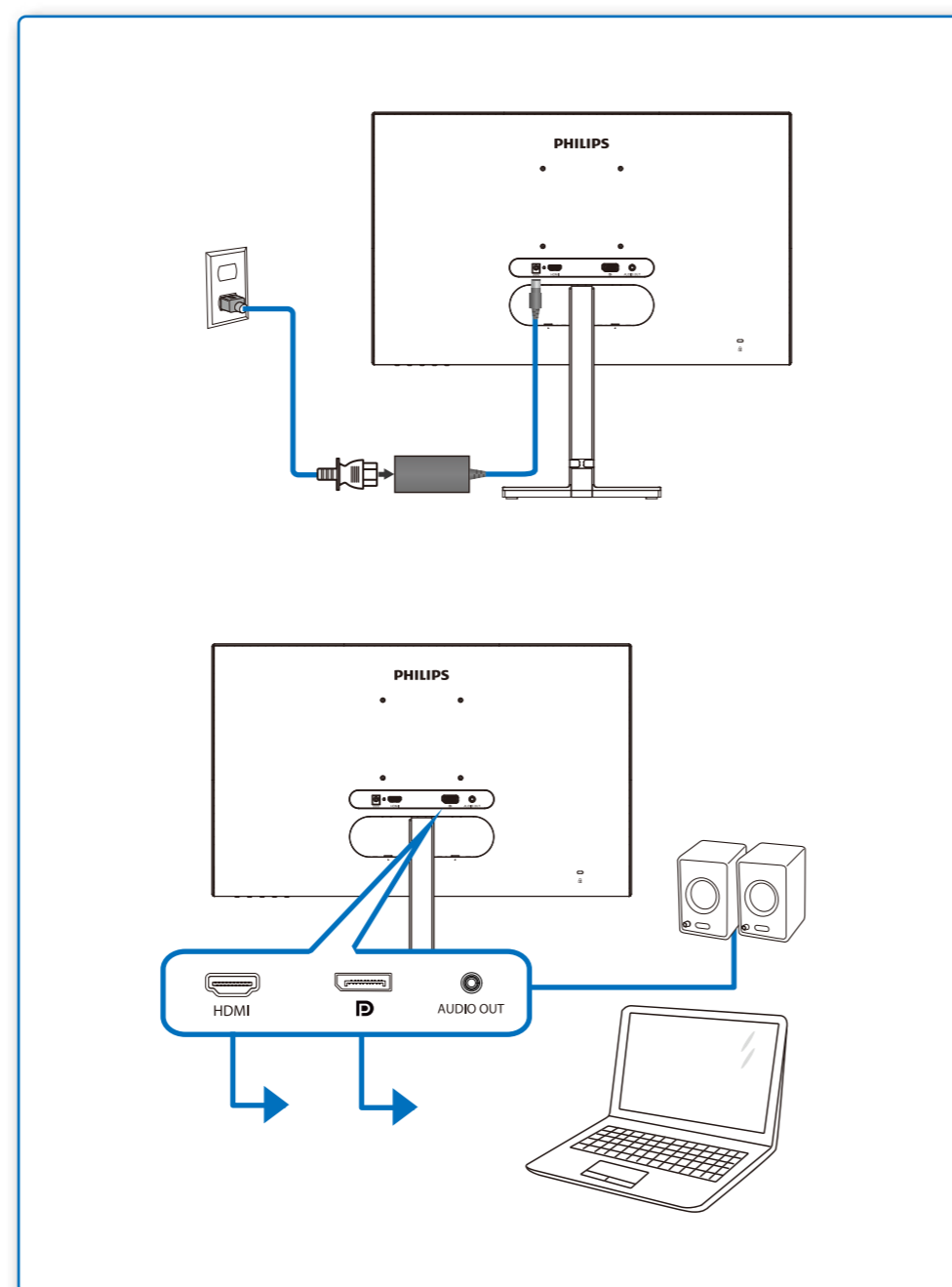
* HDMI

* Different according to region.
Display design may differ from those illustrated.

1



2



3

